

Math 096 - Quiz 3

February 15, 2017

Name key

Score _____

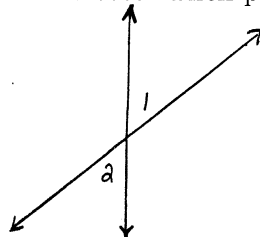
Show all work to receive full credit. Supply explanations when necessary.

1. (2 points) A pair of angles are supplementary. If one of the angles measures 103° , what is the measure of the other angle?

They add up to 180°

$$180^\circ - 103^\circ = \boxed{77^\circ}$$

2. (1 point) Draw two lines that intersect. Then point out a pair of vertical angles.



$\angle 1$ AND $\angle a$
ARE VERTICAL \angle 'S

3. (1 point) What does it mean for two lines to be perpendicular?

THE TWO LINES INTERSECT AT A RIGHT \angle .
(IN FACT, 4 RIGHT ANGLES)

4. (1 point) An angle measures 230° . What kind of angle is it? Circle your choice.

straight

right

acute

obtuse

reflex

5. (1 point) An angle measures 180° . What kind of angle is it? Circle your choice.

straight

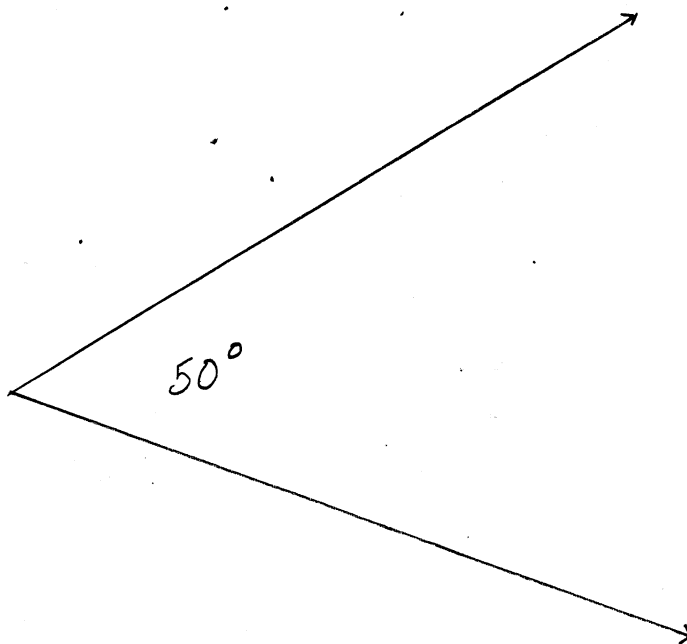
right

acute

obtuse

reflex

6. (2 points) Sketch an acute angle. Then use your protractor to find the measure of the angle.



7. (2 points) Use your protractor to sketch an angle that measures 120° .

