

Math 096 - Quiz 6

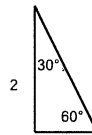
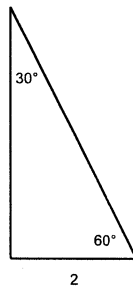
March 29, 2017

Name key

Score _____

Show all work to receive full credit. Supply explanations when necessary.

1. (2 points) The triangles shown here are clearly not congruent. Why doesn't the AAS congruence property apply?



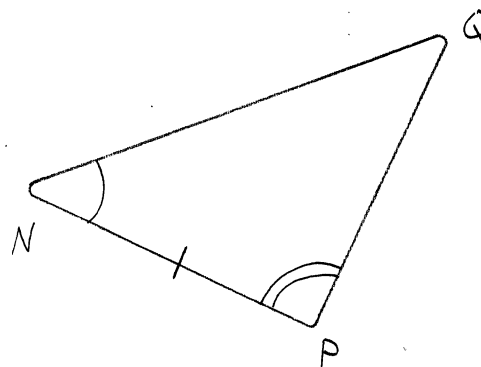
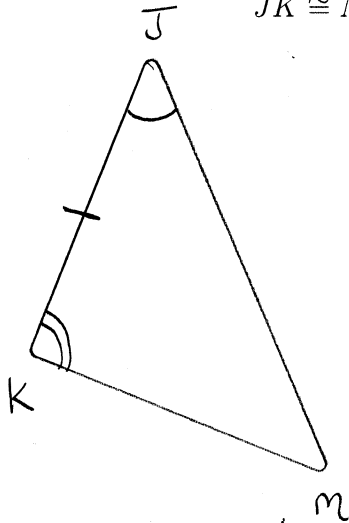
↑
IN THIS Δ ,
THE GIVEN SIDE
IS ADJACENT TO
THE $60^\circ \angle$.

↑
IN THIS Δ ,
THE GIVEN SIDE
IS ADJACENT TO
THE $30^\circ \angle$.

THE SIDES DO NOT CORRESPOND.

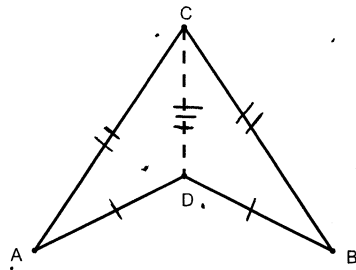
2. (3 points) Is the following information sufficient to justify $\triangle JKM \cong \triangle NPQ$? Justify your answer.

$\overline{JK} \cong \overline{NP}$, $\angle J \cong \angle N$, $\angle K \cong \angle P$



Yes, by the
ASA property.

3. (3 points) The figure shown below is called a kite. In the figure, $\overline{AC} \cong \overline{BC}$ and $\overline{AD} \cong \overline{BD}$. Carefully explain how we can be sure that $\triangle ACD \cong \triangle BCD$.



Congruent by
THE SSS property.

4. (2 points) Circle all that are triangle congruence properties.

AAA, AAS, ASA, SAA, ASS, SAS, SSA, SSS